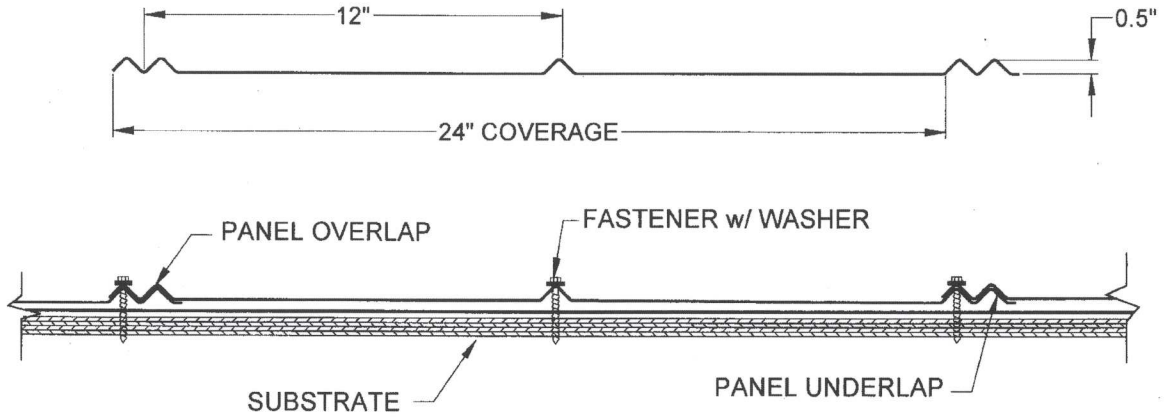
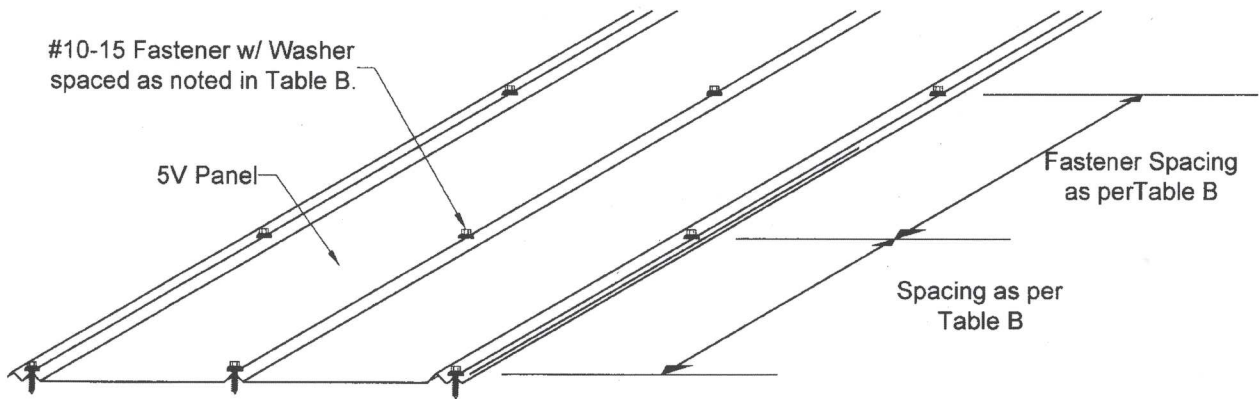


5V CRIMP PANEL



FASTENING PATTERN AT FIELD, EAVE & RIDGE OF PANEL



4M Metals, Inc.
201 Red Oaks Way
Ridgeland, SC 29936
Phone: (843) 208-2433
FAX: (843) 208-2430

metals

MIAMI-DADE COUNTY
APPROVED

NOA No.: 08-0317.02
Expiration Date: 02/26/11
Approval Date: 05/15/08